

2023

Comfortex
WINDOW FASHIONS

Distributed by:

MDS Midwest
WINDOW FASHIONS Designer
Supply

1-888-523-2611



COLOR LUX® PANEL TRACK SYSTEM

Manufacturer's Price List and Reference Guide

Effective April 17, 2023



Detailed Table of Contents



Hardware



Photos



Price Grids



Videos



Finished Dimensions



Installation




General Information



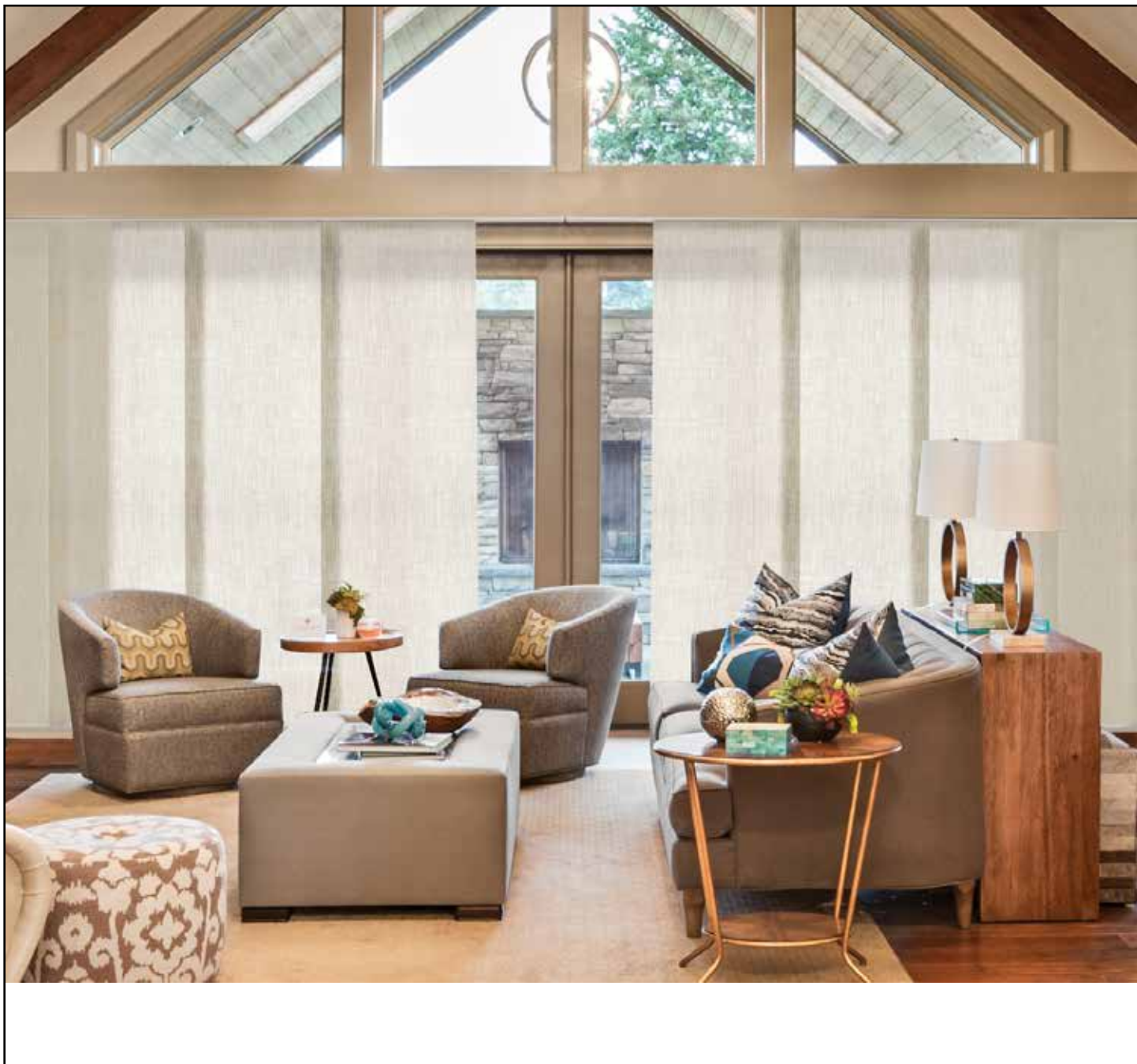
Web



 Requires you to leave document

Color Lux Panel Track Price List - Effective 04.17.2023

Version 1	Original Price List Effective April 17, 2023	Uploaded 03/17/2023
-----------	--	---------------------



 **Hardware Options**

 **Control Options**

 **Panel Widths**

Color Lux® Panel Track Shades

SYSTEM FEATURES & OPTIONS

The Color Lux Panel Track Shade system offers versatility and a beautiful modern design for effective light control and outstanding performance. Panel track systems are a beautiful option for large windows and room dividers. Available in Strata Light Filtering, Linen Light Filtering and Blackout, Classic Duck Light Filtering and Blackout, and 5% Screen.

Stacking Options

Color Lux Panel Track Shades are available with 3 stacking configurations: split, left and right stacks.

- Split stack panels draw open to both sides equally. Controls may be placed on either side and is only available in cord control.
- Side stack is available as left or right stack and is available with a white wand or cord control.



Split Stack



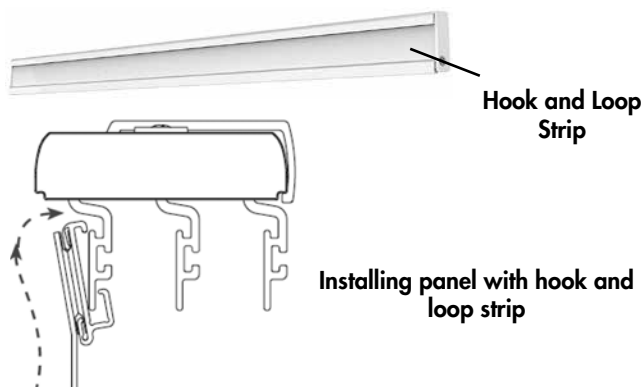
Left or Right Stack



Closed Side Stack

Panel Attachment

A hook and loop strip is sewn onto every panel to provide a secure attachment. The patented panel attach method makes it easy to attach the panels even after installation of the rail.



Head Rail Colors

Select from the white or aluminum system hardware system. (Wand is always white.)



White Head Rail



Aluminum Head Rail

Bottom Rail

Panel track bottom rails are designed for smooth operation and allows all panels to glide smoothly past each other.

- Bottom rails are designed to match perfectly with the head rail in exposed white or silver.
- Finished bottom rails will be 1/2" higher than measured drop on inside mount shades.
- Bottom rails are not connected to each other on this panel track system.
- Fabric Wrapped bottom rails are available as an option.



Fabric Wrapped Bottom Rail

Fabric Panels and Custom Overlaps

- Panels will be fabricated with a 2" overlap as standard. Custom overlaps are available at 1 1/2", 2 1/2" and 3". Please specify when ordering.
- Panels are attached with a hook and loop strip to allow for subtle fabric adjustment in the field.
- Each panel traverses the track using ball bearings, creating smooth operation for wand and cord control
- Panels follow a single lead panel in sequence to open and close.
- Panels position exactly behind one another in the open position.
- There is no light gap between the rail and the panels.
- Panels will reach the end of the track.

Please Note: Panels may not hang perfectly flat immediately upon installation. Panels may have a billowing or wavy appearance at the time of installation which may correct itself over time.

Replacement panels are available.

Color Lux® Panel Track Shades

SYSTEM FEATURES & OPTIONS

Control Options

The panel track system uses a cord or wand for traversing the fabric panels. Cord control is standard with every panel track shade. Wand control is available at no additional surcharge. Please specify when ordering.

Cord Control

- The nylon cord is white or grey to coordinate with hardware.
- Standard length of the cord is 10" less the ordered length. Custom cord lengths are available. Please specify when ordering.
- Standard cord placement is right stack with right cord.
- Operating cords are located on the outside edge of the panels.
- Tensioner for cord control is always white.
- Tensioner must always be placed so the cord reaches full extension.



Grey Cord Control

Wand Control

The traversing wand is a convenient alternative to a traditional cord control. This single control system protects children and pets from injuries caused by loop cords.

- The wand control is always white.
- Only available on side stack systems.
- Standard wand placement is on the outside leading edge of the left or right stack.



White Wand Control

Standard Wand Lengths

- Shades up to 72" in Length: 36" wand
- 72" to 96" in Length: 48" wand
- 96" to 120" in Length: 60" wand
- 120" to 144" in Length: 72" wand

Custom lengths are not available but you may select from one of the standard wand lengths above.

Panel Widths

To achieve the best performance on this panel track system, panels are designed within the following parameters:

- The minimum width for a single panel is 6".**
- The maximum width for a single panel is 48".**
- The maximum panel height is 144".**

See price grids for the minimum number of panels that will be available at the desired width.

More panels can be ordered at an additional surcharge and to achieve the desired panel width.

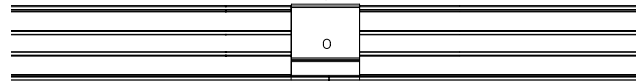
The standard panel overlap is 2". Custom overlaps are available.

Example: The standard split stack on a 96" wide opening would have 4 panels at 26" wide with a 2" overlap. If 6 panels are desired, each panel would be 18" wide.

Track Specifications

- The minimum width of a track is 18".**
- The maximum width of a track is 216".**

The maximum width of a single panel track is 216". When the total width is ordered over 100", tracks will be split in half and a connector bracket will be provided.



Panel Stack Back

The stack back will be equal to a single panel width. It will never be less than 12" and never exceed 48".

To determine an approximate stack back:

Ordered Width ÷ Number of Panels = Stack Back within +/- 2". (with 2" standard overlap)

Color Lux Custom Graphics for Panel Track

Custom Graphics is available on Panel Track Shades in the following fabrics:

- Classic Duck Light Filtering
- Classic Duck Blackout
- 5% Screen

Add 25% to Standard Rectangular price plus desired upgrades.



Scotchgard™ Protection

Optional Scotchgard™ Protector is available with all Color Lux fabrics. Scotchgard™ keeps your shades looking newer, fresher and cleaner longer.

A combination of the latest advances in stain release and repellency provides exceptional stain protection. Spills wipe away easily and most dirt and stains lift out when cleaned.



1

Center Split Stack
Standard Cord Draw



2

One Way Side Stack
Standard Cord Draw

Color Lux® Panel Track Shades
All Color Lux Roller Fabrics

GRID 1
Center Split Stack
Standard Cord Draw

Standard # of Panels

Panel Width	4 Panels	4 Panels	4 Panels	4 Panels	4 Panels	4 Panels	4 Panels	4 Panels	6 Panels	6 Panels	
	11"	14"	17"	20"	26"	32"	38"	44"	34"	38"	
	Width In Inches										
	36	48	60	72	96	120	144	168	192	216	
Length in Inches	48	947	1086	1148	1293	1582	1804	2096	2304	2453	2596
	60	968	1116	1179	1326	1623	1851	2153	2365	2518	2664
	72	993	1142	1206	1357	1665	1896	2208	2426	2583	2733
	84	1012	1168	1232	1389	1705	1943	2264	2484	2649	2800
	96	1036	1195	1261	1421	1748	1991	2320	2549	2713	2869
	108	1059	1225	1290	1454	1789	2036	2376	2606	2779	2940
	120	1082	1251	1314	1487	1831	2083	2432	2668	2845	3007
	132	1104	1279	1391	1520	1872	2180	2486	2779	2961	3129
	144	1128	1307	1426	1551	1915	2230	2545	2845	3032	3205

Surcharge for Additional Panels

6 Panels	-----	-----	43	58	76	93	111	126	-----	-----
8 Panels	-----	-----	-----	-----	151	187	220	252	155	173

Panel Width (Inches) (Approximate*)

6 Panels	-----	-----	10"	12"	16"	20"	24"	28"	-----	-----
8 Panels	-----	-----	-----	-----	12"	15"	18"	21"	24"	27"

* Measurements do not account for standard deductions to fabric and head rail and use standard 2" overlap.

GRID 2 One Way Side Stack
Standard Cord Draw

Standard # of Panels

Panel Width	2 Panels	2 Panels	2 Panels	2 Panels	3 Panels	3 Panels	4 Panels	4 Panels	5 Panels	5 Panels	
	20"	26"	32"	38"	34"	42"	38"	44"	40"	43"	
	Width In Inches										
	36	48	60	72	96	120	144	168	192	216	
Length In Inches	48	947	1086	1148	1293	1582	1804	2096	2304	2453	2596
	60	968	1116	1179	1326	1623	1851	2153	2365	2518	2664
	72	993	1142	1206	1357	1665	1896	2208	2426	2583	2733
	84	1012	1168	1232	1389	1705	1943	2264	2484	2649	2800
	96	1036	1195	1261	1421	1748	1991	2320	2549	2713	2869
	108	1059	1225	1290	1454	1789	2036	2376	2606	2779	2940
	120	1082	1251	1314	1487	1831	2083	2432	2668	2845	3007
	132	1104	1279	1391	1520	1872	2180	2486	2779	2961	3129
	144	1128	1307	1426	1551	1915	2230	2545	2845	3032	3205

Surcharge for Additional Panels

3 Panels	32	40	51	58	-----	-----	-----	-----	-----	-----
4 Panels	-----	78	105	119	151	94	-----	-----	-----	-----
5 Panels	-----	-----	205	234	300	191	232	141	-----	-----

Panel Width (Inches) (Approximate*)

3 Panels	14"	18"	22"	26"	-----	-----	-----	-----	-----	-----
4 Panels	-----	14"	17"	20"	26"	32"	-----	-----	-----	-----
5 Panels	-----	-----	14"	16"	21"	28"	31"	36"	-----	-----

* Measurements do not account for standard deductions to fabric and head rail and use standard 2" overlap.

Scotchgard™ Stain Protection	Add \$67 to the standard rectangular price.
-------------------------------------	---

Product Specifications

Head Rail Options

- White
- Aluminum

Bottom Rail Options

- White
- Aluminum

Control Options

- Cord Draw (standard)
- Wand Draw (wand is always white)

Panel Size

- Minimum panel width is 6"
- Maximum panel width is 48"



**Cord Draw Finished
Dimensions**

Color Lux® Panel Track Shades

SPECIFICATIONS

Panel Track Finished Dimensions				
	Inside Mount - Cord Draw	Inside Mount - Wand Draw	Outside Mount - Cord Draw	Outside Mount - Wand Draw
Width of Finished Panel Coverage	Ordered Width minus $\frac{5}{8}$ "	Ordered Width minus $\frac{5}{8}$ "	Ordered Width minus $\frac{3}{8}$ "	Ordered Width minus $\frac{3}{8}$ "
Track	Ordered Width minus $\frac{1}{4}$ "	Ordered Width minus $\frac{1}{4}$ "	Ordered Width	Ordered Width
Length	Ordered Length minus $\frac{1}{2}$ "	Ordered Length minus $\frac{1}{2}$ "	Ordered Length	Ordered Length

Mounting Options

The following mounting options are available. All mounting brackets are coordinated with the head rail in white or aluminum:

- Wall Bracket with End Caps
- Ceiling Bracket with End Caps

Light Gap

Head Rail/Fabric Panels: There is no light gap between the fabric panels and the bottom of the head rail.

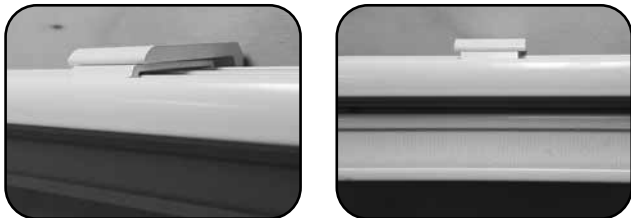
Outside Mount Bracket/Head Rail: There is a $\frac{1}{4}$ " light gap between the top of the track to the top of the outside mount installation bracket.

Inside Mount Bracket/Head Rail: There is a $\frac{1}{8}$ " gap between the top of the track to the top of the inside mount installation bracket.

Bottom Light Gap: There will be a $\frac{1}{2}$ " light gap at the bottom of the hanging panels on an inside mount shade.

Side Light Gap: There will be $\frac{3}{16}$ " side light gap at the sides of the panel track.

To avoid side light gap on outside mount shades, Comfortex recommends increasing the ordered width by 5", or 2 $\frac{1}{2}$ " on both sides.



Outside Mount Installation Bracket Appearance

Fabric Deductions and Specifications

Panels are fabricated with a 2" overlap as standard. Custom overlaps are available in 1 $\frac{1}{2}$ ", 2 $\frac{1}{2}$ " or 3".

Inside Mount:

Head rail width = ordered width minus $\frac{1}{4}$ "

Panel height allowance = ordered length minus $\frac{1}{2}$ "

Outside Mount:

No additional deductions are taken for fabric width

Panel height allowance = ordered length

Color Lux® Panel Track Shades SPECIFICATIONS

Clear Window Opening

Panel Tracks are an excellent option for clearing a window opening. Please see the below charts for guidance on what ordered width is recommended to clear a window opening.

For Example:

For a One Way Side Stack ordered with 5 panels, in order to clear an opening of 94", the ordered width of the panel track should be 120".

One Way Side Stack Panel Track

Step 1: Select # of Panels

Step 2: Select uncovered width

2 Panels	If uncovered width is	17	23	29	35	-	-	-	-	-	-
3 Panels	If uncovered width is	23	31	39	47	63	79	-	-	-	-
4 Panels	If uncovered width is	25	34	43	52	70	88	106	124	-	-
5 Panels	If uncovered width is	27	37	47	56	75	94	113	133	152	171
Result: Then Ordered Width is		36	48	60	72	96	120	144	168	192	216

Split Stack Panel Track

Step 1: Select # of Panels

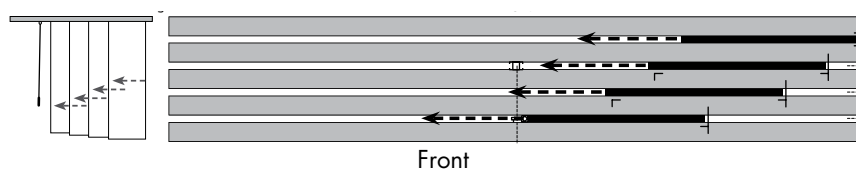
Step 2: Select uncovered width

4 Panels	If uncovered width is	14	20	26	32	44	56	68	80	-	-
6 Panels	If uncovered width is	-	-	36	44	60	76	92	108	124	140
8 Panels	If uncovered width is	-	-	-	-	68	86	104	122	140	158
Result: Then Ordered Width is		36	48	60	72	96	120	144	168	192	216

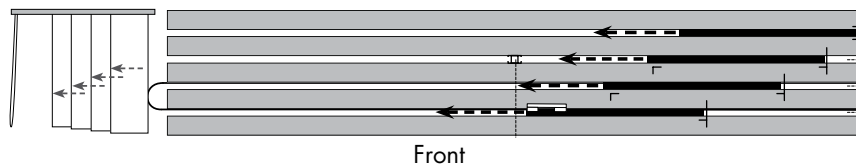
Panel Configuration - Wand and Cord Control

The lead panel is always in front and catches the panels behind it. Right stack and split stack panel configuration is shown below.

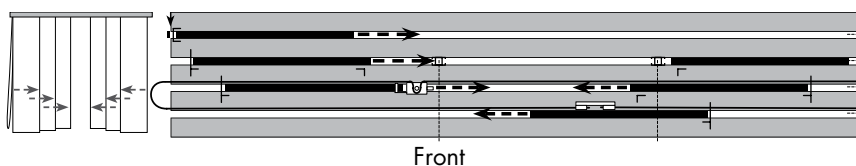
**Right Stack
Wand Control**



**Right Stack
Cord Control**



**Split Stack
Cord Control**



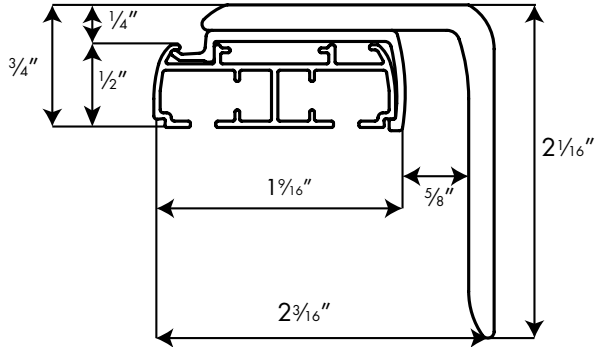
Color Lux® Panel Track Shades

SPECIFICATIONS

Outside Mount Hardware Profiles

Five separate panel track profiles are available depending on the number of panels ordered.

Two Track System

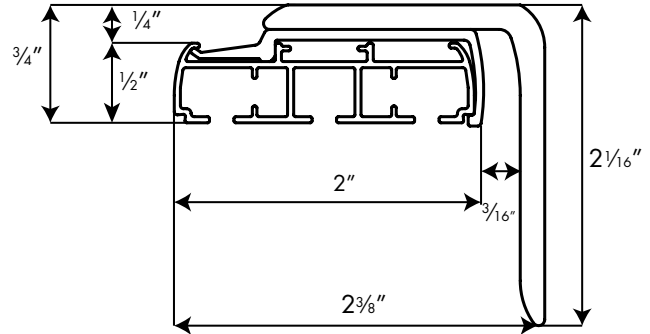


Two channel tracks are used for:
 2 panel side stack
 4 panel split stack

Mounting Dimensions

Minimum height required for outside mounting: 2 1/16"
 Extension Bracket projects back of bracket 2 5/8" from wall

Three Track System

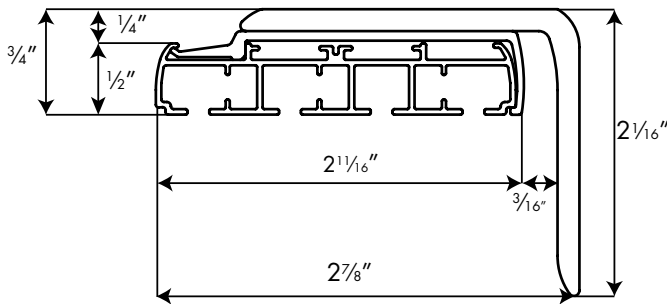


Three channel tracks are used for:
 3 panel side stack
 Not Available for split stack

Mounting Dimensions

Minimum height required for outside mounting: 2 1/16"
 Extension Bracket projects back of bracket 2 3/16" from wall

Four Track System

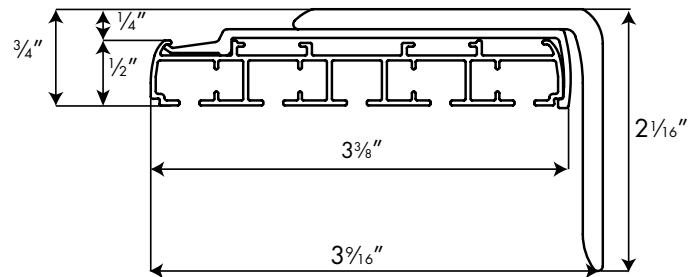


Four channel tracks are used for:
 4 panel side stack
 6 panel split stack

Mounting Dimensions

Minimum height required for outside mounting: 2 1/16"
 Extension Bracket projects back of bracket 1 9/16" from wall

Five Track System



Five channel tracks are used for:
 5 panel side stack
 8 panel split stack

Mounting Dimensions

Minimum height required for outside mounting: 2 1/16"
 Extension Bracket projects back of bracket 1 7/16" from wall

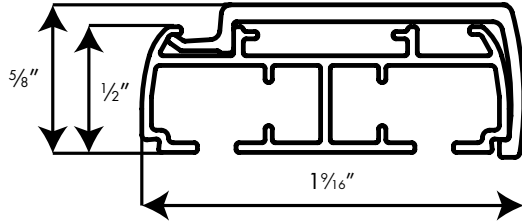
For outside mount brackets, Spacer blocks are available at 1/16" increments, up to two. Add to overall projection.
 Example: For a four panel track, take 2 7/8" plus 1/16"

Color Lux® Panel Track Shades SPECIFICATIONS

Inside Mount Hardware Profiles

Five separate panel track profiles are available depending on the number of panels ordered.

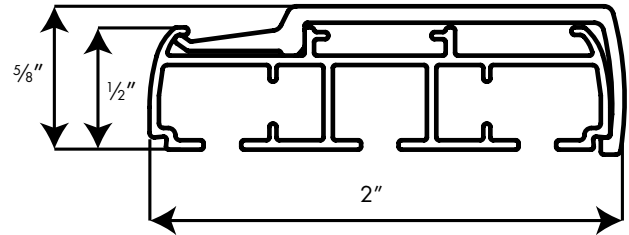
Two Track System



Two channel tracks are used for:
 2 panel side stack
 4 panel split stack

Mounting Dimensions
Minimum depth for flush inside mount: 1 1/16"
Minimum depth required for shallow mounting: 1 1/4"

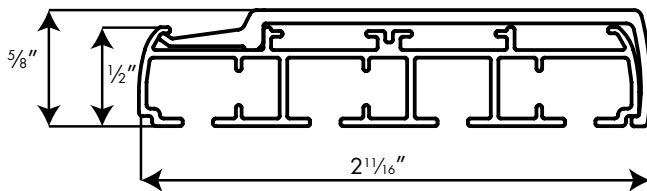
Three Track System



Three channel tracks are used for:
 3 panel side stack
 Not available for split stack

Mounting Dimensions
Minimum depth for flush inside mount: 2"
Minimum depth required for shallow mounting: 1 7/16"

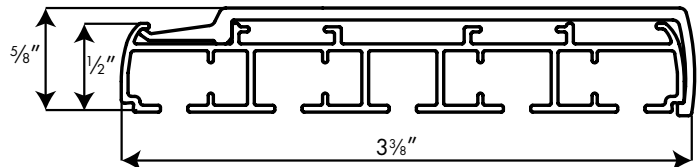
Four Track System



Four channel tracks are used for:
 4 panel side stack
 6 panel split stack

Mounting Dimensions
Minimum depth for flush inside mount: 2 1/16"
Minimum depth required for shallow mounting: 2 1/16"

Five Track System



Five channel tracks are used for:
 5 panel side stack
 8 panel split stack

Mounting Dimensions
Minimum depth for flush inside mount: 3 3/8"
Minimum depth required for shallow mounting: 2 1/4"



**Measuring
Cleaning & Care**



Scotchgard



Child Safety

Color Lux® Panel Track Shades

GENERAL INFORMATION

Measuring Instructions

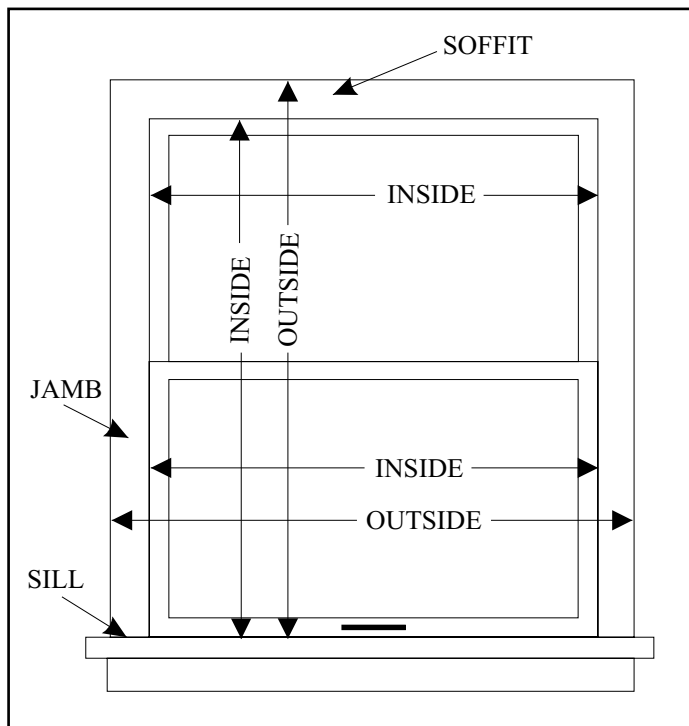
Comfortex accepts measurements down to 1/16" increments.

Inside Mount

Use a steel tape to measure the opening at three different places, and use the narrowest dimension when ordering. Be exact! The factory will make the deductions so it will not rub against the window casing. Measure the height of the window from the top (soffit) down to the sill.

Outside or Ceiling Mount

Use a steel tape to measure the exact height and width of the area to be covered. It is recommended that the blinds overlap the window by at least 1 1/2" on each side. When installation has no sill, allow the blind to overlap the bottom of the window casing by at least 1 1/2". Blind slats will measure width indicated on the order form.



Cleaning and Care

While beautiful and pleasing to the eye, all Comfortex products are designed to be durable, easily cared for and easily cleaned. The fabric can be dusted with a soft, clean cloth, feather duster or lightly vacuumed with a soft brush attachment. Spills and stains can be lightly blotted with a cloth or damp sponge.

For additional advice on care or cleaning, please contact our Technical Services Department.

Scotchgard™

Scotchgard Protection

Scotchgard™ Protector is available with all Panel Track Shades. Scotchgard™ keeps your shades looking newer, fresher and cleaner longer.



A combination of the latest advances in stain release and repellency provides exceptional stain protection. Spills wipe away easily and most dirt and stains lift out when cleaned. Both sides of the fabric are treated with Scotchgard.



Scotchgard™ Protection

Optional Scotchgard™ Protector is available with all Color Lux fabrics. Scotchgard™ keeps your shades looking newer, fresher and cleaner longer.

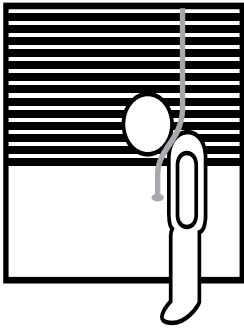
A combination of the latest advances in stain release and repellency provides exceptional stain protection. Spills wipe away easily and most dirt and stains lift out when cleaned.

Color Lux® Panel Track Shades

GENERAL INFORMATION

⚠️ WARNING

⚠️ ADVERTENCIA



Window Blind Cord Can STRANGLE Your Child.

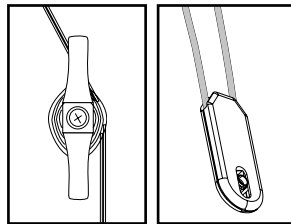
To prevent strangulation, purchase cordless products or products with inaccessible cords.

La cuerda ciega de la ventana puede ESTRANGULAR su niño.

Para evitar el estrangulamiento, compre alternativas inalámbricas o productos con cables inaccesibles.

Child Safety

Comfortex has a long history of designing new child-safety products and is proud to provide a leadership role in cooperating with the Consumer Product Safety Commission (CPSC) for the development of policies and guidelines for the industry by serving on the WCMA Standards Development Committee.



Cord Cleat

Cord Tensioner

All Comfortex products have been fully tested and proven to comply with the current WCMA Standards for safety of corded window coverings.

Be aware that it is possible for children to become entangled in window covering cords. To reduce the risk of accidents, all cords must be kept out of the reach of children.

A cord cleat or cord tensioner is an effective way to implement this essential precaution. Please use them.

To mount the cord cleat at a safe height, take into account furniture or other objects upon which a child may climb. Then, after the use of the blind, simply wrap the excess cord around the cleat.

COLOR LUX PANEL TRACK SYSTEM

	Page
Hardware Options	1
Control Options	2
Panel Widths	2
 PRICE GRIDS	
Center Split Stack Price Group 1	4
One Way Side Stack Price Group 2	4
 HARDWARE	
Standard Cord Draw	6
 GENERAL INFORMATION	
Cleaning and Care	11
Scotchgard	11
Child Safety	12



Midwest
Designer
Supply

1-888-523-2611

**Midwest Designer Supply, Inc.
N30W22377 Green Road Ste C
Waukesha, WI 53186
(262) 523-2600
Fax (262) 524-1007
www.midwestdesignersupply.com**

MDS - your one source for window fashions.